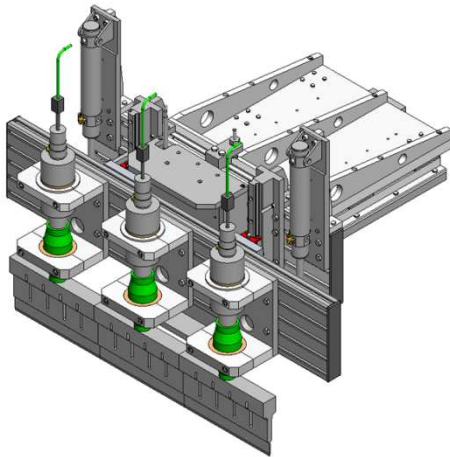
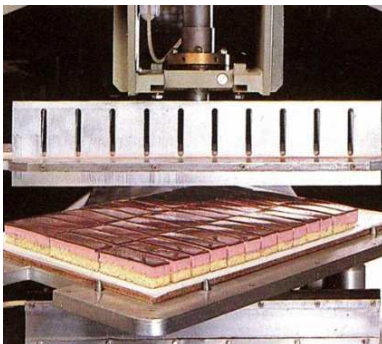


## DETAIL



## FINISHED PRODUCT



## ULTRASOUNDS CUTTING MACHINE

### Description:

Ultrasounds cutting machine is able to auto tracking specialized on industrial sponge cake.

The auto tracking has been realized by three linear combined motors and a customized software for food industry.

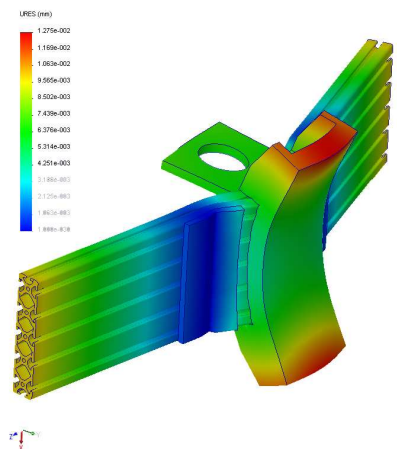
Cutting operations can be performed with ultrasounds just to ensure the cleaning request on food industry and a precision cut and free from pieces of cake.

### Technical details:

- min. cut length: 30mm.

- max. cut length: 100mm.

Any customization can be engined and implemented case by case on request.



### TECHNICAL DETAILS:

Min. cut length	30 mm
Max. cut length	100mm